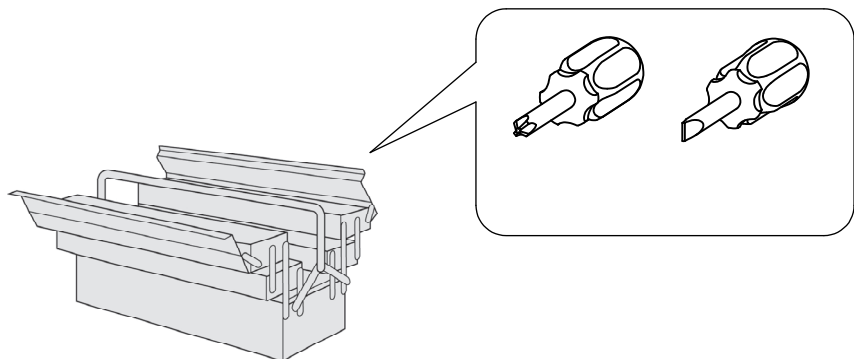
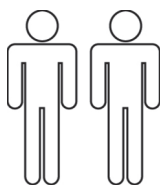
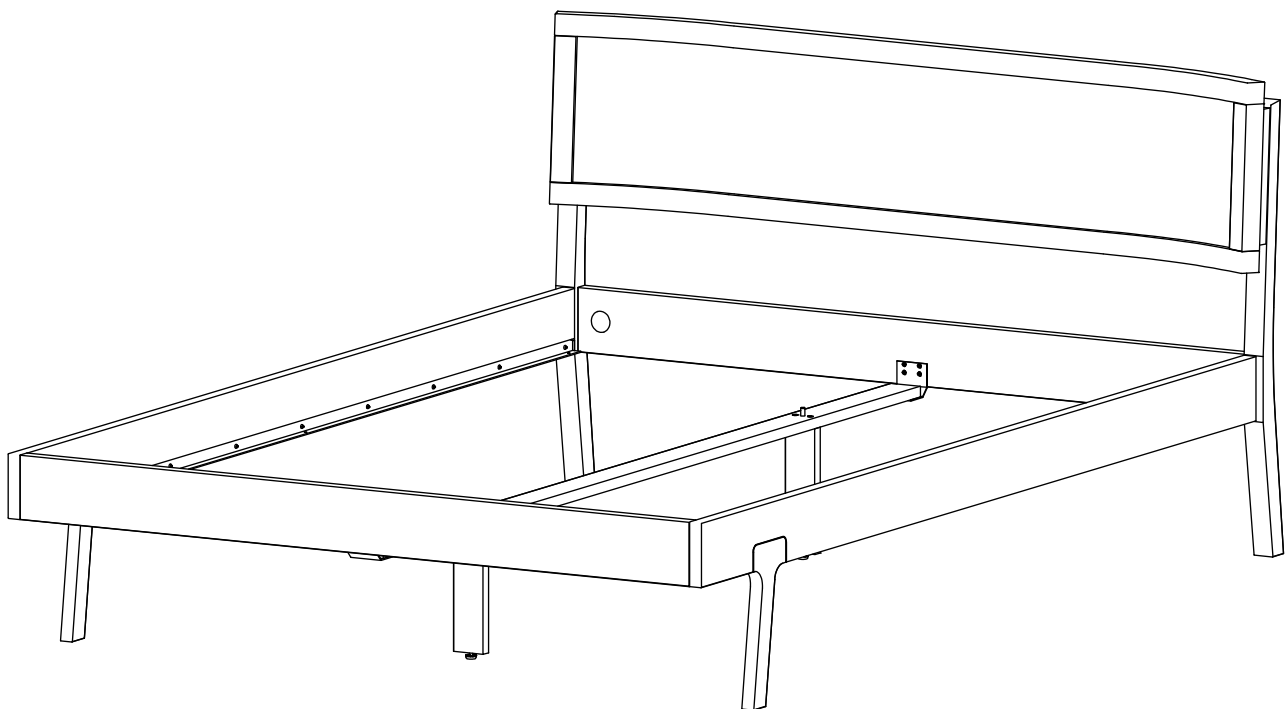


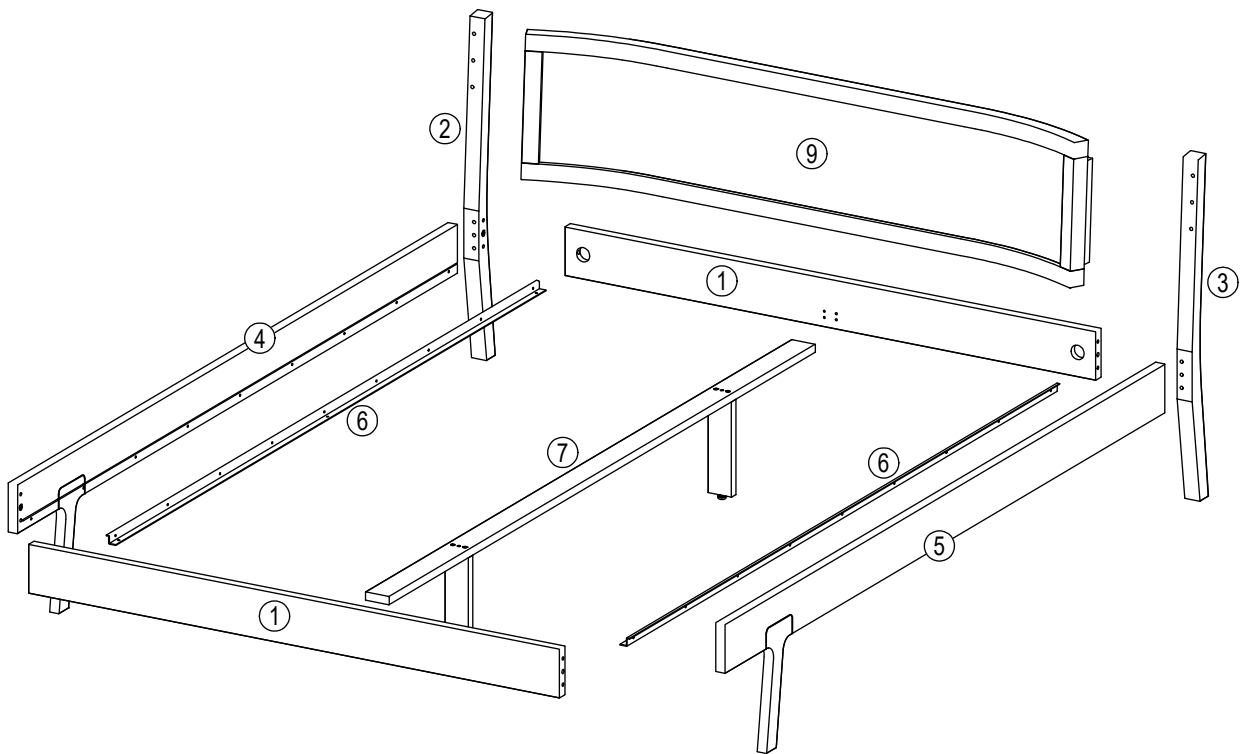
# Massivholzbett "Belvedere"


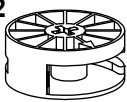




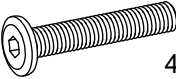
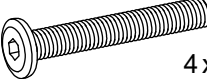
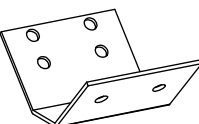
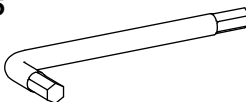
2071-15926

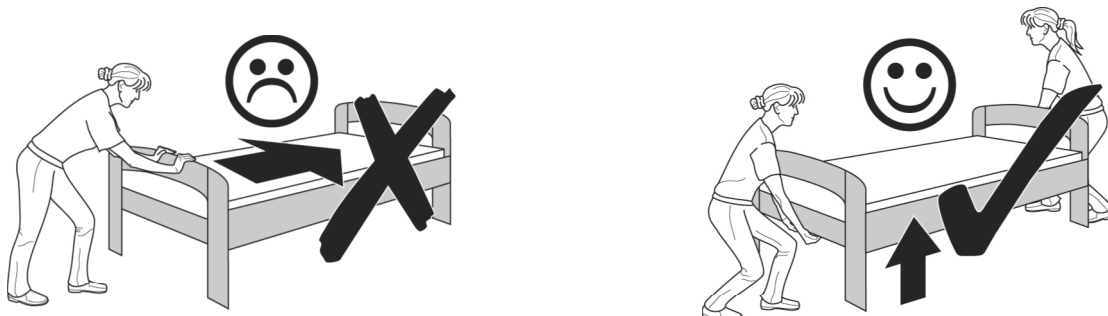


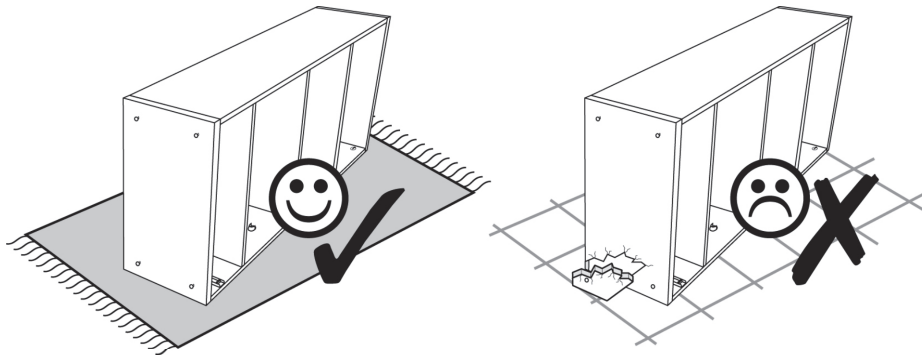
# Massivholzbett "Belvedere"

2071-15926


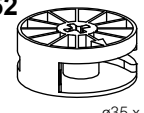



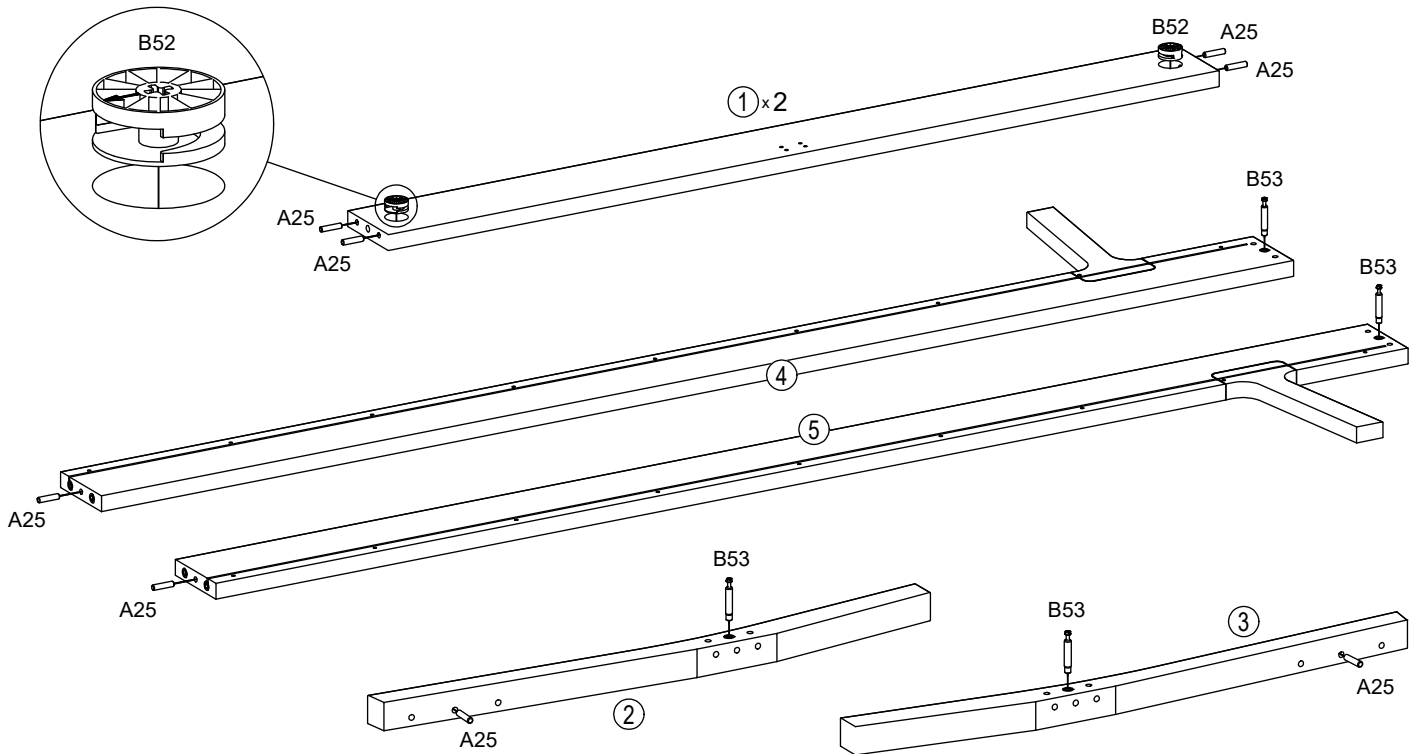
<b>A25</b>  14 x ø8 x 35mm	<b>B52</b>  4 x ø35 x 19mm	<b>B51</b>  4 x ø19mm	<b>B53</b>  4 x M8, ø8,4 x 55mm	<b>E11</b>  18 x ø3,5 x 16mm	<b>F64</b>  12 x ø6,2 x 16mm
<b>L86</b>  4 x M8 x 45mm	<b>L88</b>  4 x M8 x 55mm	<b>V10a</b>  2 x	<b>Z05</b>  1 x 5mm		



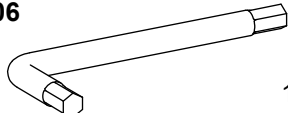


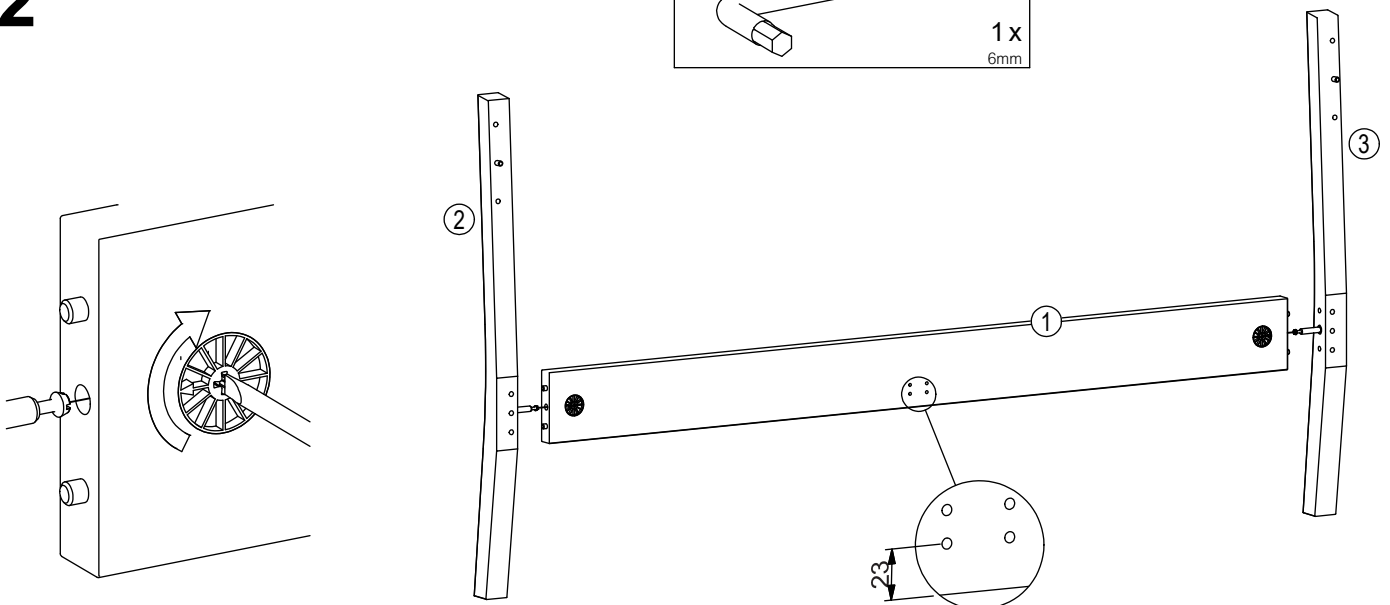
1

<p><b>A25</b></p>  <p>12x ø8 x 35mm</p>	<p><b>B52</b></p>  <p>4x ø35 x 19mm</p>	<p><b>B53</b></p>  <p>4x M8, ø8,4 x 55mm</p>
--	--	--

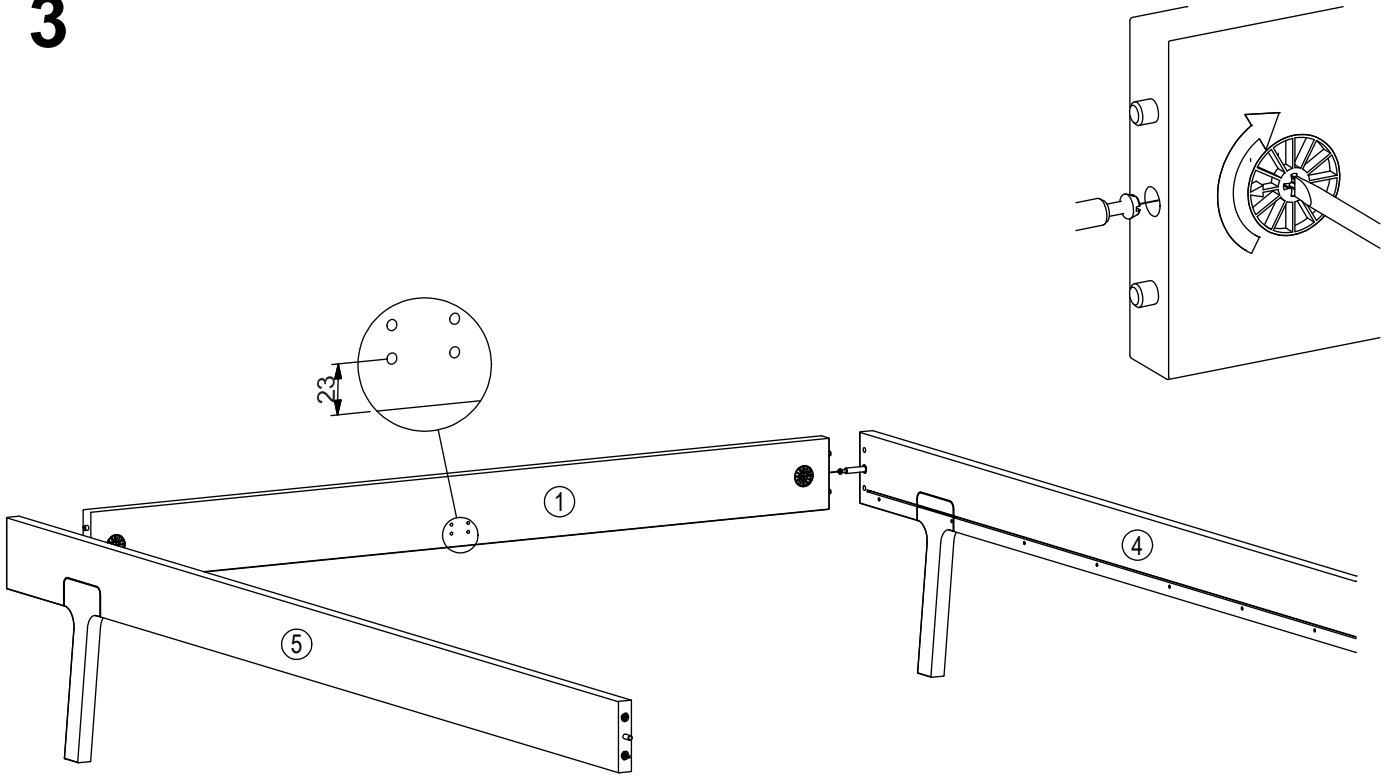


2

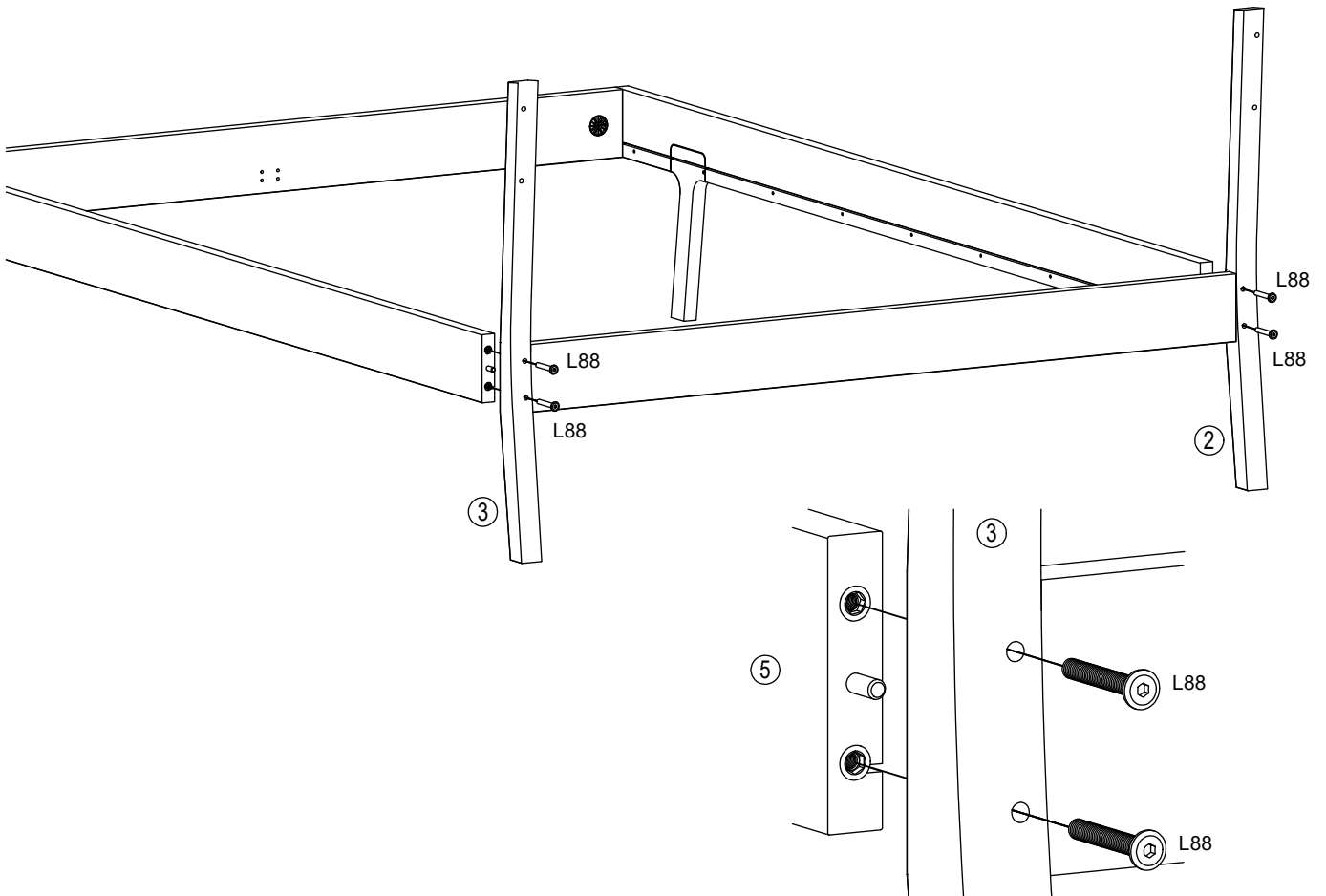
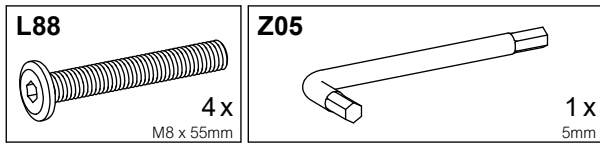
<p><b>Z06</b></p>  <p>1x 6mm</p>
--




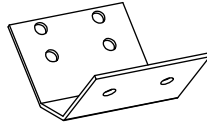
3

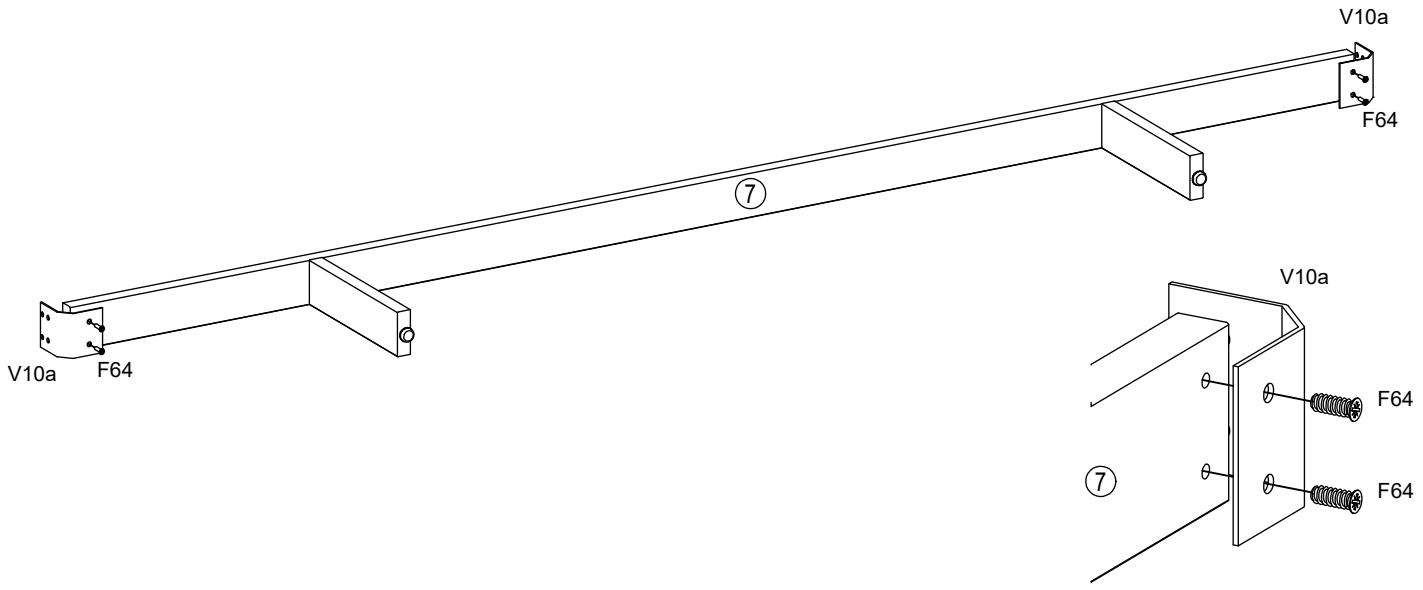


4







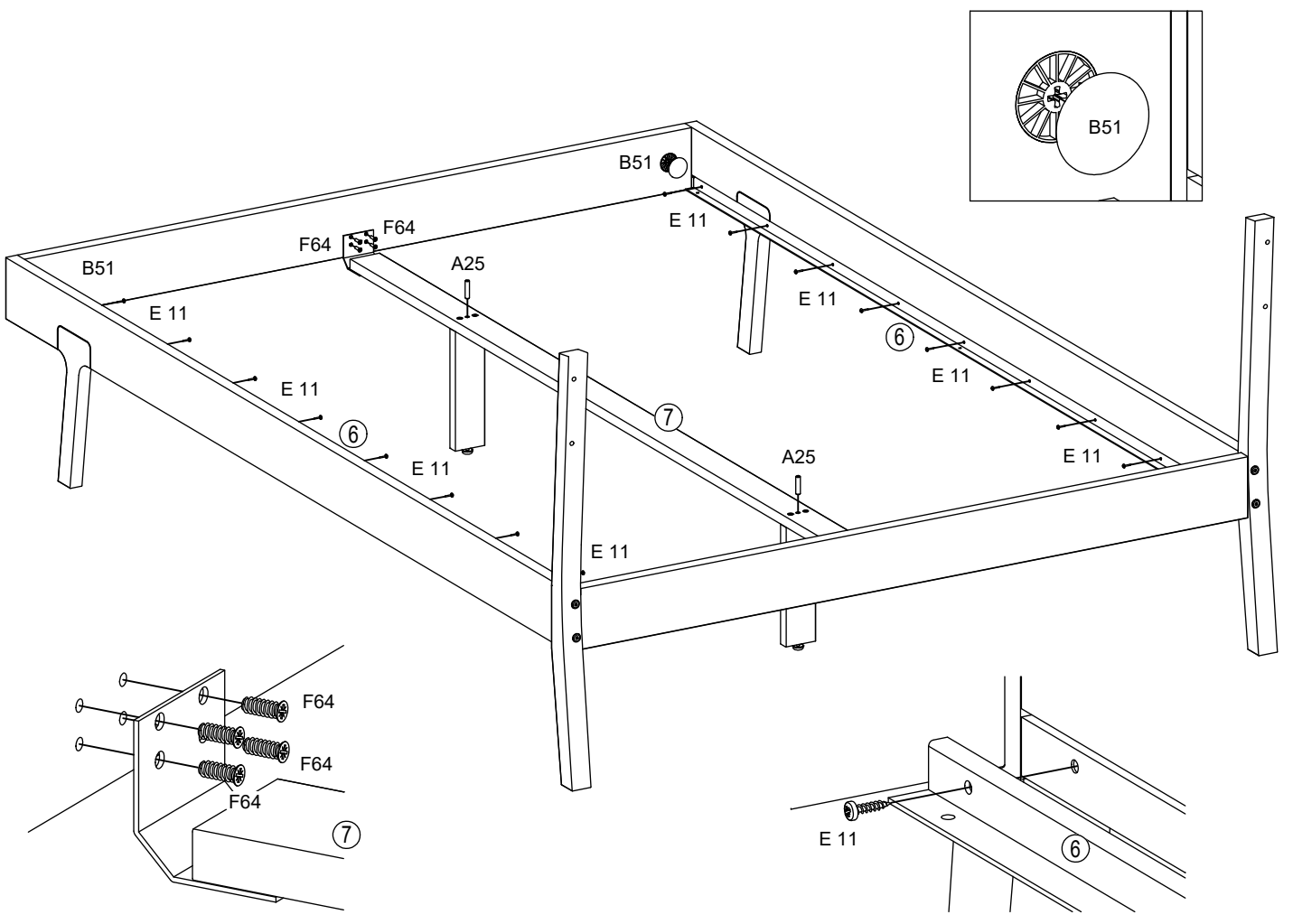
# 5

<b>F64</b>  4 x ø6,2 x 16mm	<b>V10a</b>  2 x
---	---



# 6

<b>A25</b>  2 x ø8 x 35mm	<b>B51</b>  4 x ø19mm	<b>E11</b>  18 x ø3,5 x 16mm	<b>F64</b>  8 x ø6,2 x 16mm
--	--	---	--



7

